

VIDEO CONTROL COMBINATION

The TDA3501 is a monolithic integrated circuit performing the control functions in a PAL/SECAM decoder which additionally comprises the integrated circuits TDA3510 (PAL decoder) and/or TDA3520 (SECAM decoder).

The required input signals are: luminance and colour difference $-(R-Y)$ and $-(B-Y)$, while linear RGB signals can be inserted from an external source.

RGB signals are provided at the output to drive the video output stages.

The TDA3501 has the following features:

- capacitive coupling of the input signals
- linear saturation control
- (G-Y) and RGB matrix
- insertion possibility of linear RGB signals, e.g. video text, video games, picture-in-picture, camera or slide-scanner
- equal black level for inserted and matrixed signals by clamping
- 3 identical channels for the RGB signals
- linear contrast and brightness control, operating on both the inserted and matrixed RGB signals
- horizontal and vertical blanking (black and ultra-black respectively) and black-level clamping obtained via a 3-level sandcastle pulse
- differential amplifiers with feedback-inputs for stabilization of the RGB output stages
- 2 d.c. gain controls for the green and blue output signals (white point adjustment)
- beam current limiting possibility

QUICK REFERENCE DATA

Supply voltage	V_{6-24}	typ.	12 V
Supply current	I_6	typ.	100 mA
Luminance input signal (peak-to-peak value)	$V_{15-24(p-p)}$	typ.	0,45 V
Luminance input resistance	R_{15-24}	typ.	12 k Ω
Colour difference input signals (peak-to-peak values)			
$-(B-Y)$	$V_{18-24(p-p)}$	typ.	1,33 V
$-(R-Y)$	$V_{17-24(p-p)}$	typ.	1,05 V
Inserted RGB signals (peak-to-peak values)	$V_{12,13,14-24(p-p)}$	typ.	1 V
Three-level sandcastle pulse detector	V_{10-24}	typ.	2,5/4,5/8,0 V
Control voltage ranges			
brightness	V_{20-24}		1 to 3 V
contrast	V_{19-24}		2 to 4 V
saturation	V_{16-24}		2,1 to 4 V

PACKAGE OUTLINE

28-lead DIL; plastic (SOT117).

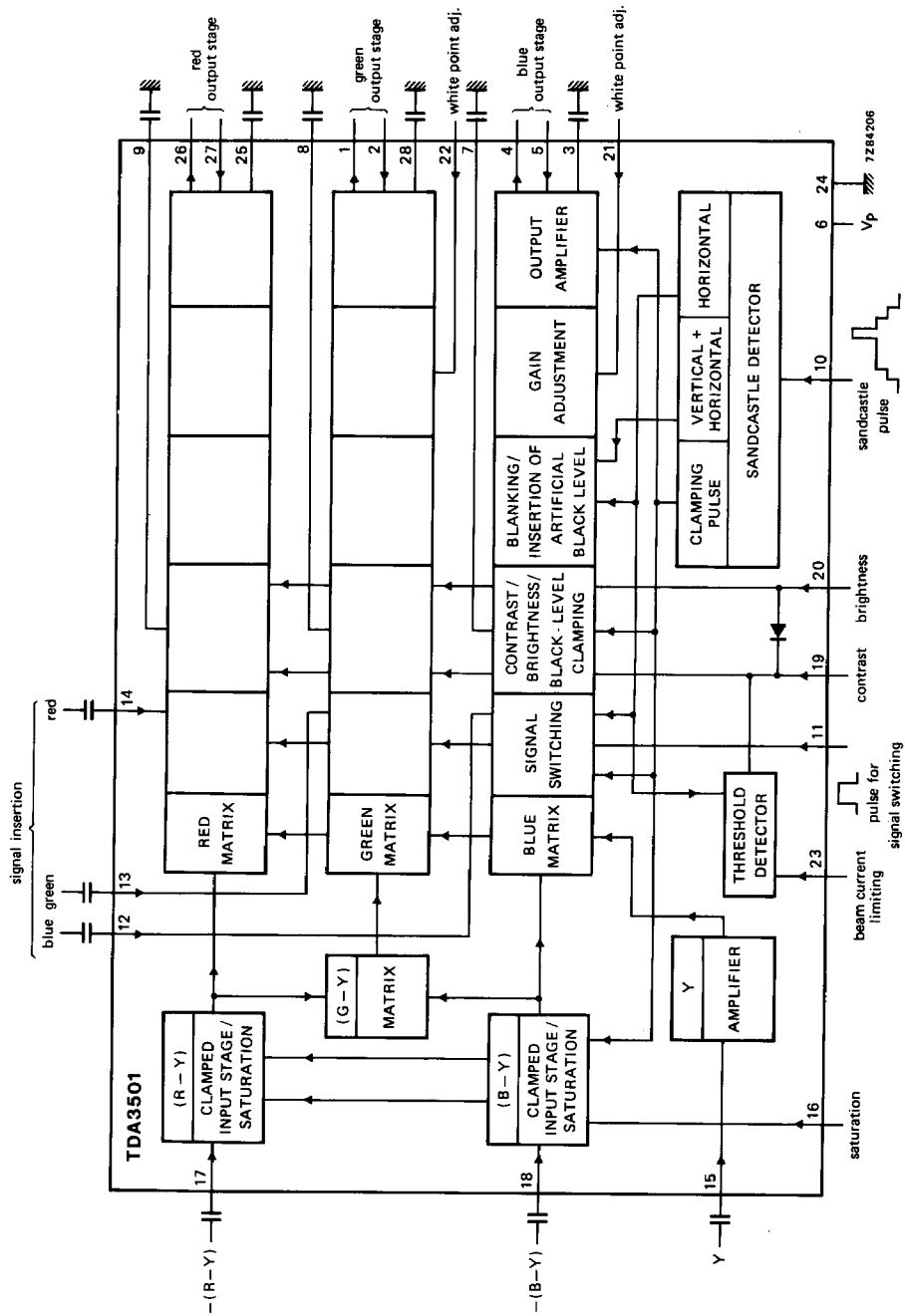


Fig. 1 Block diagram.

RATINGS

Limiting values in accordance with the Absolute Maximum System (IEC 134)

		min.	max.	
Supply voltage	$V_P = V_{6-24}$	—	13,2	V
Voltages with respect to pin 24				
pins 1,4,26	$V_{1,4,26-24}$	$\frac{1}{2}V_P$	$V_P + 1$	V
pins 2,5,27	$V_{2,5,27-24}$	0	V_P	V
pin 10	V_{10-24}	0	V_P	V
pin 11	V_{11-24}	-0,5	3	V
pins 16,19,20	$V_{16,19,20-24}$	0	$\frac{1}{2}V_P$	V
pins 21,22	$V_{21,22-24}$	0	V_P	V
pin 23	V_{23-24}	0	V_P	V
pins 3,25,28; 7,8,9; 12,13,14; 15,17,18	no external d.c. voltage			
Current at pin 20	I_{20}	max.	5	mA
Total power dissipation	P_{tot}	max.	1,7	W
Storage temperature	T_{stg}		-25 to + 125	°C
Operating ambient temperature	T_{amb}		0 to + 70	°C

CHARACTERISTICS

Supply voltage range	V_P		10,8 to 13,2	V
The following characteristics are measured in Fig. 2; $V_P = 12$ V; $T_{amb} = 25$ °C; $V_{18-24(p-p)} = 1,33$ V; $V_{17-24(p-p)} = 1,05$ V; $V_{15-24(p-p)} = 0,45$ V; $V_{12,13,14-24(p-p)} = 1$ V; unless otherwise specified				
Current consumption	I_6	typ.	100	mA
Colour difference inputs				
—(B-Y) input signal (peak-to-peak value)*	$V_{18-24(p-p)}$		1,33	V
—(R-Y) input signal (peak-to-peak value)*	$V_{17-24(p-p)}$		1,05	V
Internal resistance of colour difference sources		<	200	Ω
Input resistance	$R_{17,18-24}$	>	100	kΩ
Internal d.c. voltage due to clamping	$V_{17,18-24}$	typ.	4,2	V
Saturation control				
control voltage range for a change of saturation from -20 dB to + 6 dB	V_{16-24}		2,1 to 4	V
control voltage for attenuation > 40 dB	V_{16-24}	<	1,8	V
nominal saturation (6 dB below max.)	V_{16-24}	typ.	3	V
input current	I_{16}	<	20	μA

* For saturated colour bar with 75% of maximum amplitude.

CHARACTERISTICS (continued)

(G-Y) matrix

Matrixed according the equation $V_{(G-Y)} = -0,51 V_{(R-Y)} - 0,19 V_{(B-Y)}$

Luminance amplifier

Input signal (peak-to-peak)	$V_{15-24(p-p)}$		0,45 V
Input resistance	R_{15-24}	typ.	12 k Ω
Internal d.c. voltage	V_{15-24}	typ.	2,7 V

RGB channels

Signal switching input voltage for insertion			
on level	V_{11-24}		0,9 to 1,5 V
off level	V_{11-24}		-0,5 to +0,3 V
Input current	I_{11}		-100 to +200 μ A
Signal insertion			
external RGB input signal (peak-to-peak value)*	$V_{12,13,14-24(p-p)}$		1 V
internal d.c. voltage due to clamping	$V_{12,13,14-24}$	typ.	3,5 V
input current	$I_{12,13,14}$	<	5 μ A
Contrast control			
control voltage range for a change of contrast from -17 dB to +3 dB	V_{19-24}		2 to 4 V
nominal contrast (3 dB below max.)	V_{19-24}	typ.	3,4 V
control voltage for -6 dB	V_{19-24}	typ.	2,7 V
input current at $V_{23-24} \geq 6$ V	I_{19}	<	2,5 μ A
Beam current limiting			
internal d.c. voltage	V_{23-24}	typ.	6 V
input resistance	R_{23-24}	typ.	10 k Ω
input current contrast control			
$V_{23-24} = 5,8$ V	I_{19}	typ.	0,7 mA
$V_{23-24} = 5,7$ V	I_{19}	typ.	10 mA
$V_{23-24} = 5,6$ V	I_{19}	typ.	16 mA
Brightness control			
control voltage range	V_{20-24}		1 to 3 V
nominal brightness voltage	V_{20-24}		2 V
input current	I_{20}	<	10 μ A
control voltage for nominal black level which equals the inserted artificial black level	V_{20-24}	typ.	2 V
change of black level in the control range related to the nominal luminance signal (black-white)		typ.	± 50 %

* During the clamping time (see sandcastle detector Fig. 1), the inserted RGB signals are clamped to the same black level as the internal RGB signals. For proper clamping, the internal resistance of the external signal sources should be $< 200 \Omega$.

Internal signal limiting*

signal limiting for nominal luminance
(black to white = 100%)
black
white

typ. -25 %
typ. 125 %

White point adjustment

A.C. voltage gain **

at $V_{21,22-24} = 6 \text{ V}$ at $V_{21,22-24} = 0 \text{ V}$ at $V_{21,22-24} = 12 \text{ V}$

100 %
< 60 %
> 140 %

Input resistance

 $R_{21,22-24}$ typ. 20 k Ω

Differential output amplifier

Feedback inputs (pins 2,5,27)
d.c. voltage during clamping

 $V_{2,5,27-24}$

5,79 to 5,95 V

voltage difference between
the feedback inputs

 ΔV

< 80 mV

input resistance

 $R_{2,5,27-24}$ > 100 k Ω

Output amplifiers (pins 1,4,26)
transconductance

$$\frac{\Delta I_1}{\Delta V_{2-24}} = \frac{\Delta I_4}{\Delta V_{5-24}} = \frac{\Delta I_{26}}{\Delta V_{27-24}}$$

typ. 20 mA/V

integrated load resistance

 $R_{1,4,26-24}$ typ. 610 Ω

output current (peak value)

at $V_{1,4,26-24} = 8,2 \text{ V}$ $\pm I_{1,4,26 \text{ m}}$

typ. 5 mA

Gain data

At nominal contrast, saturation and
white point adjustment

Voltage gain between Y-input (pin 15) and
feedback inputs (pins 2,5,27)

 $G_{2,5,27-15}$

typ. 10 dB

Frequency response (0 to 5 MHz)

 $d_{2,5,27-15}$

< 3 dB

Voltage gain between colour difference
inputs (pins 17 and 18) and feedback
inputs (pin 5 and 27)

 $G_{5-18} = G_{27-17}$

typ. 0 dB

Frequency response (0 to 2 MHz)

 $d_{5-18} = d_{27-17}$

< 3 dB

Voltage gain between signal display inputs
(pins 12,13,14) and feedback inputs
(pins 2,5,27)

 $G_{2-13} = G_{5-12} = G_{27-14}$

typ. 0 dB

Frequency response (0 to 5 MHz)

 $d_{2-13} = d_{5-12} = d_{27-14}$

< 3 dB

* Brightness, contrast and saturation control in nominal position.

** With input pins 21 and 22 not connected an internal bias voltage of 6 V is supplied.

CHARACTERISTICS (continued)**Sandcastle detector**

There are 3 internal thresholds (proportional to V_p)
the following amplitudes are required for
separating the various pulses:

horizontal and vertical blanking pulses (note 1)	V_{10-24}	>	2 V
		<	3 V
horizontal pulse (note 2)	V_{10-24}	>	4 V
		<	5 V
clamping pulse (note 3)	V_{10-24}	>	7,5 V
d.c. voltage for artificial black level (note 4) (scan and flyback)	V_{10-24}	>	7,5 V
no keying	V_{10-24}	<	1 V
Input current	-I ₁₀	<	100 μ A

Notes

1. Blanking to ultra-black (-20%).
2. Insertion of artificial black level.
3. Pulse duration > 3,5 μ s.
4. This function will also be obtained by leaving pin 10 open.

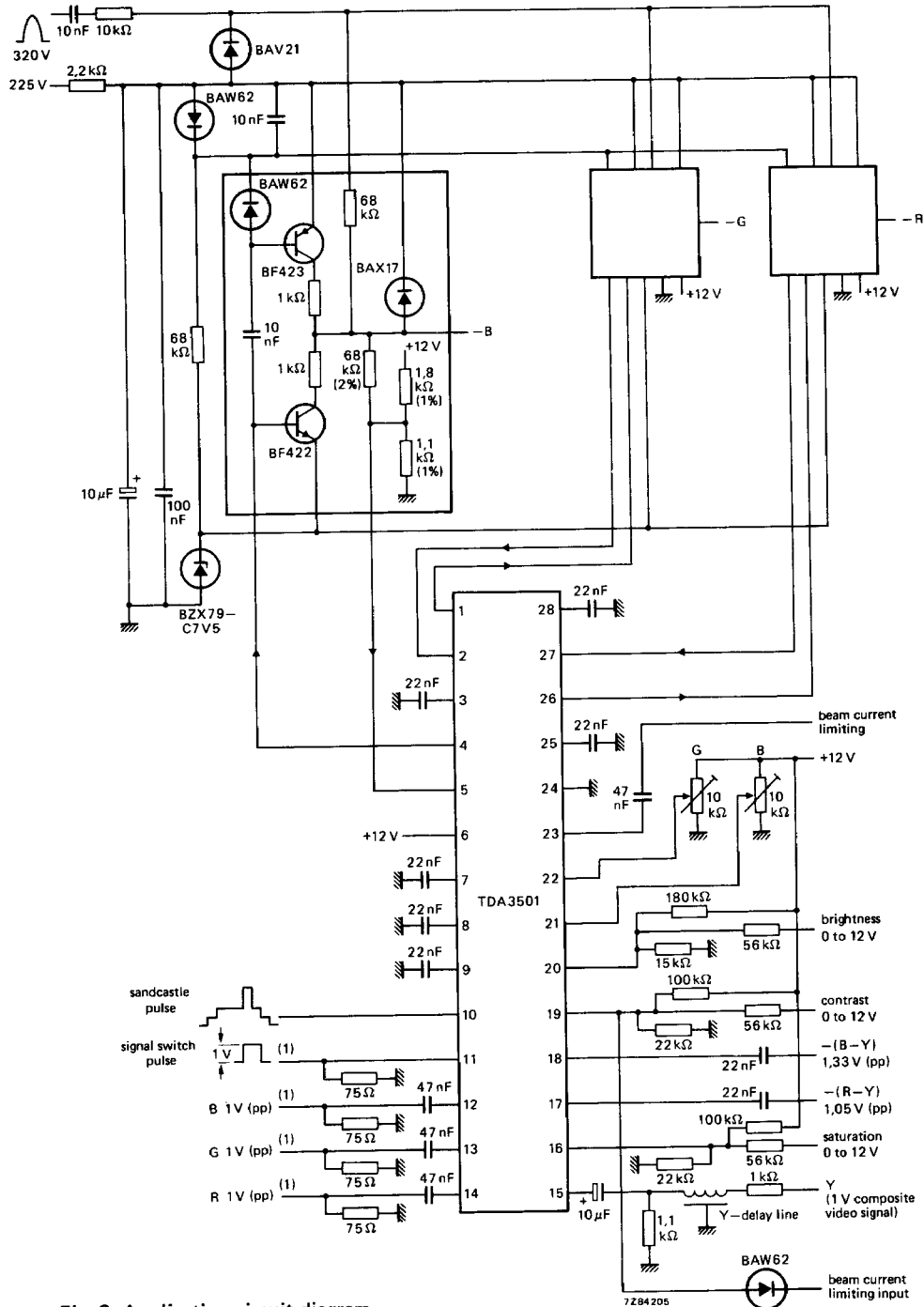


Fig. 2 Application circuit diagram.