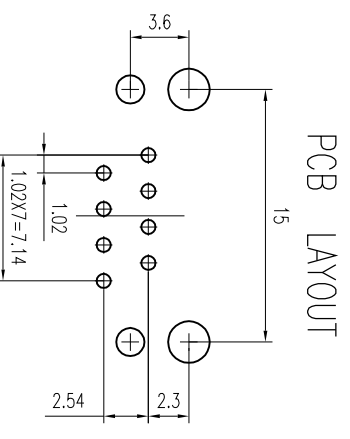
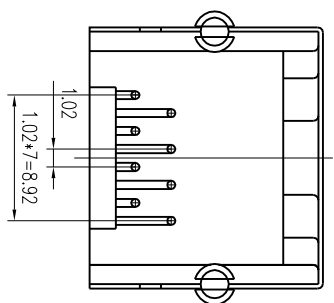
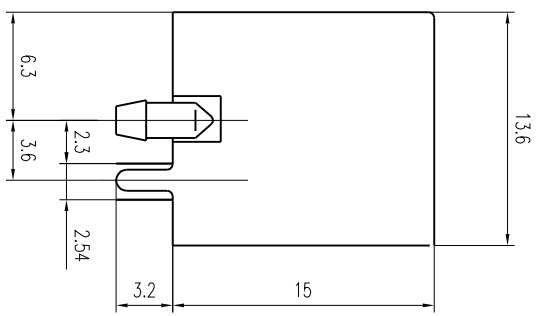
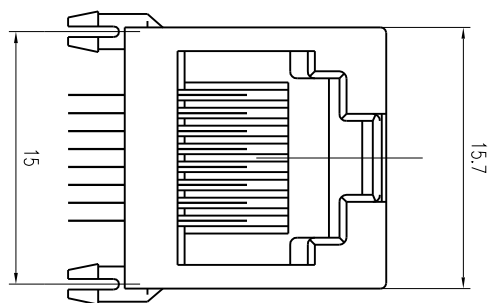


REVISION RECORD				
REV	ECO	DESCRIPTION	DRFT	CHKD



**NOTES:**

**ELECTRICAL:**

- 1. VOLTAGE RATING : 125 VAC RMS.
- 2. CURRENT RATING : 1.5 AMP.
- 3. CONTACT RESISTANCE : 30 MILLIOHMS MAX.
- 4. INSULATION RESISTANCE : 500 MEGOHMS MIN @ 500V DC .
- 5. DIELECTRIC STRENGTH : 1000V AC RMS 50Hz. 1MIN.

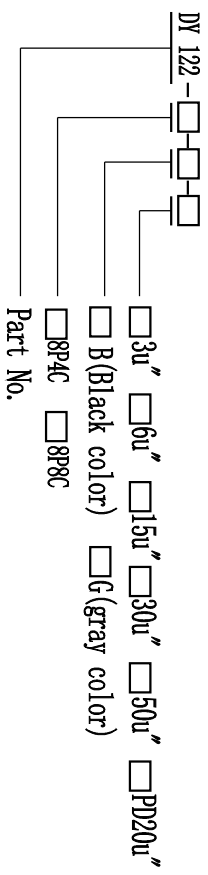
**MECHANICAL:**

- 1. HOUSING MATERIAL : GLASS FILLED POLYESTER UJ94V-0.
- 2. CONTACT MATERIAL : PHOSPHOR BRONZE  $\phi$ 0.46mm.
- 3. PLATING : GOLD PLATING OVER NICKEL.
- 4. OPERATING : 750 CYCLES MIN.
- 5. SHIELDING : 0.23mm THICKNESS COPPER ALLOY WITH NICKEL PLATED.
- 6. PCB RETENTION PRE-SOLDER : 1 LB MIN.

**ENVIRONMENTAL:**

- 1. Temperature Range : -45°C~+85°C
- 2. Relative Humidity : 90~95% (40±2°C)

**PART NUMBER:**



DETACHED LISTS																			
<table border="1"> <tr> <td>mm</td> <td>inch</td> </tr> <tr> <td>0±0.2</td> <td>±0.008</td> </tr> <tr> <td>00±0.15</td> <td>±0.006</td> </tr> <tr> <td>000±0.075</td> <td>±0.003</td> </tr> </table>	mm	inch	0±0.2	±0.008	00±0.15	±0.006	000±0.075	±0.003	<table border="1"> <tr> <td>DATE:</td> <td>DATE:</td> </tr> <tr> <td>CHKD:</td> <td>DATE:</td> </tr> <tr> <td>MFO:</td> <td>DATE:</td> </tr> <tr> <td>APPL:</td> <td>DATE:</td> </tr> <tr> <td>MATERIAL:</td> <td></td> </tr> </table>	DATE:	DATE:	CHKD:	DATE:	MFO:	DATE:	APPL:	DATE:	MATERIAL:	
mm	inch																		
0±0.2	±0.008																		
00±0.15	±0.006																		
000±0.075	±0.003																		
DATE:	DATE:																		
CHKD:	DATE:																		
MFO:	DATE:																		
APPL:	DATE:																		
MATERIAL:																			
<table border="1"> <tr> <td>ANGLES ± 0.5</td> </tr> <tr> <td>FINISH:</td> </tr> <tr> <td>SCALE: 2:1</td> </tr> </table>	ANGLES ± 0.5	FINISH:	SCALE: 2:1	<table border="1"> <tr> <td>DRAWING NO.</td> <td>SIZE</td> <td>REV</td> </tr> <tr> <td>/PART NO.</td> <td>A4</td> <td>06/05/02</td> </tr> <tr> <td>DO NOT SCALE DRAWING</td> <td>SHEET</td> <td>OF</td> </tr> </table>	DRAWING NO.	SIZE	REV	/PART NO.	A4	06/05/02	DO NOT SCALE DRAWING	SHEET	OF						
ANGLES ± 0.5																			
FINISH:																			
SCALE: 2:1																			
DRAWING NO.	SIZE	REV																	
/PART NO.	A4	06/05/02																	
DO NOT SCALE DRAWING	SHEET	OF																	